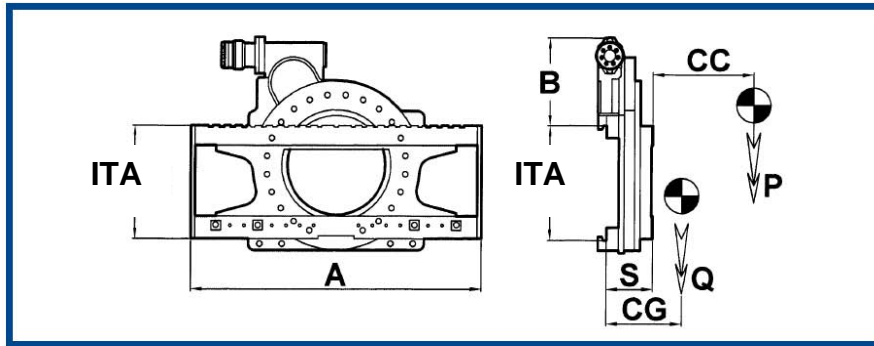




# 360 DEGREE ROTATOR

# TYPE 301 SPECIFICATIONS



MODEL NUMBER	CAPACITY @ 24 INCH LC (CC)	ITA	A	B	Q WT LB	S	CG	GPM PER REV.
23EC42C0001 23EC42C0002	3200	II	36 40	13.1	375 390	6.3	3.7 3.8	2.2
23EE82C0001 23EE82C0001	4500	II	39.2 44	13.1	420 435	6.6	3.8 3.9	2.2
23EH23C0001 23EH23C0002 23EH23C0003	6600	III	43.2 46 50	14.7	715 726 737	7.8	4.3 4.4 4.4	2.4
23EHS3C0001 23EHS3C0002 23EHS3C0003	7500	III	46 50 65	14.7	726 750 775	7.8	4.4 4.4 4.6	2.4
23EK63C0001 23EK63C0002	9000	III/IV	50 65	14.7	750 775	7.8	4.4 4.6	2.4
23ND4C0001	12000	IV	72	11.6	1530	8.2	3.9	3.7
23EQ54C0001	15500	IV	80	11.6	1660	9	4.3	4.75
23ER04C0002	17,500	IV	80	11.6	1820	9.8	4.7	5.8

INVERTING FORKS REDUCES FORK RATED CAPACITY. ALWAYS USE ULH ROTATOR FORKS WHEN INVERTING HEAVY LOADS. MAXIMUM OPERATING PRESSURE 2500 PSI. TYPE 301 INCLUDES ROTATIONAL RELIEF VALVE AND OVERCENTER VALVE. 180 DEGREE ROTATION AVAILABLE ON REQUEST.

PIN TYPE ROTATORS ALSO AVAILABLE. CONSULT ULH FOR MORE INFORMATION

ROTATOR WITH INTEGRATED FORK POSITIONING AVAILABLE. EXCELLENT LOST LOAD THICKNESS COMPARED TO CLAMPS. USE ITA STANDARD FORKS, NO-WELD INSTALLATION.



**UNIT LOAD HANDLING SYSTEMS, INC.**  
 2301 SOUTH MISSION CIRCLE, FRIENDSWOOD, TX 77546  
 P: 281-992-2006 F: 281-992-2040  
[WWW.UNITLOADHANDLING.COM](http://WWW.UNITLOADHANDLING.COM)

MADE BY: