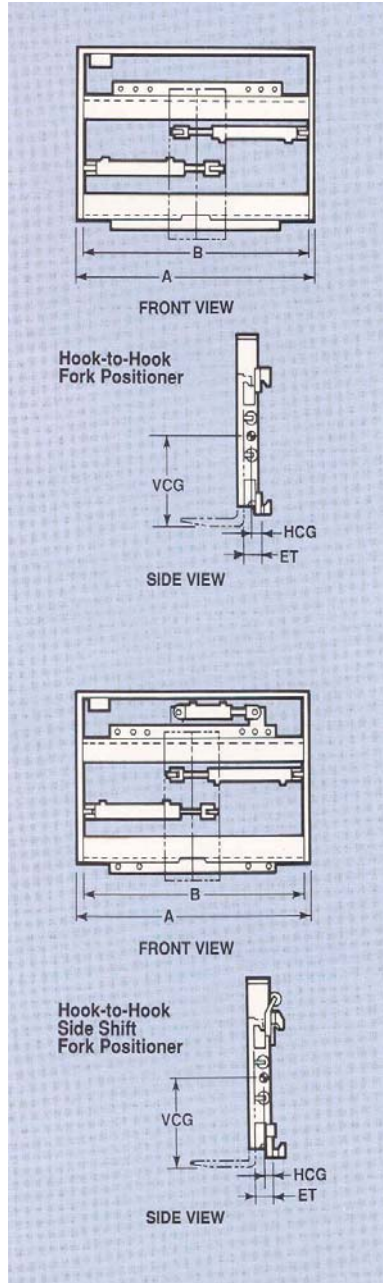


FORK POSITIONERS

HOOK TO HOOK ~ SIDESHIFTING & NON-SIDESHIFTING



EXTRA RUGGED DUTY CYCLE
 USES STANDARD FORKS
 PRESSURE RELIEF STANDARD
 FLOW CONTROL FORK MOVEMENT



NON-SIDESHIFTING

WELD-ON CYLINDER ANCHORS

MODEL NO:	CAPAC. @ 24" LC	TRUCK MTNG. ITA	MIN. CARR. WIDTH	O A W	RANGE IN TO OUT	SS DIM.	FORK MTNG. CLASS	AET	HCG	VCG	WT
FFAA-38-55	5500	II	35	38	0-35	NA	II	2.0	1.5	11	200
40-55	5500	II	35	40	0-37	NA	II	2.0	1.5	11	210
43-55	5500	II	35	43	0-40	NA	II	2.0	1.5	11	225
46-55	5500	II	41	46	0-43	NA	II	2.0	1.5	11	240
52-55	5500	II	41	52	0-49	NA	II	2.0	1.5	11	270
62-55	5500	II	48	62	0-59	NA	II	2.0	1.5	11	320

FFBB-44-100	10,000	III	36	44	0-41	NA	III	2.5	1.7	13	290
55-100	10,000	III	40	50	0-47	NA	III	2.5	1.7	13	320
62-100	10,000	III	48	62	0-59	NA	III	2.5	1.7	13	380
74-100	10,000	III	60	74	0-71	NA	III	3.0	2.0	13	500
98-100	10,000	III	60	98	0-95	NA	III	3.0	2.0	13	620

FFCC-44-155	15,500	IV	40	44	0-41	NA	IV	3.3	2.1	18	555
50-155	15,500	IV	40	50	0-47	NA	IV	3.3	2.1	18	605
62-155	15,500	IV	48	62	0-59	NA	IV	3.3	2.1	18	705
74-155	15,500	IV	60	74	0-71	NA	IV	3.5	2.2	18	805
98-155	15,500	IV	60	98	0-95	NA	IV	3.5	2.2	18	985

SIDESHIFTING

MODEL NO:	CAPAC. @ 24" LC	TRUCK MTNG. ITA	MIN. CARR. WIDTH	O A W	RANGE IN TO OUT	SS DIM.	FORK MTNG. CLASS	AET	HCG	VCG	Wt
SFAA-38-55	5500	II	35	38	0-35	8	II	2.0	1.5	11	209
40-55	5500	II	35	40	0-37	8	II	2.0	1.5	11	219
43-55	5500	II	35	43	0-40	8	II	2.0	1.5	11	234
46-55	5500	II	41	46	0-43	8	II	2.0	1.5	11	249
52-55	5500	II	41	52	0-49	8	II	2.0	1.5	11	279
62-55	5500	II	48	62	0-59	8	II	2.0	1.5	11	329

SFBB-44-100	10,000	III	36	44	0-41	8	III	2.5	1.7	13	302
50-100	10,000	III	40	50	0-47	8	III	2.5	1.7	13	334
62-155	10,000	III	48	62	0-59	8	III	2.5	1.7	13	392
74-100	10,000	III	60	74	0-71	8	III	3.0	2.0	13	512
98-100	10,000	III	60	98	0-95	8	III	3.0	2.0	13	615

SFCC-44-155	15,500	IV	40	44	0-41	10	IV	3.3	2.1	18	570
50-155	15,500	IV	40	50	0-47	10	IV	3.3	2.1	18	620
62-155	15,500	IV	48	62	0-59	10	IV	3.3	2.1	18	725
74-155	15,500	IV	60	74	0-71	10	IV	3.5	2.2	18	825
98-155	15,500	IV	60	98	0-95	10	IV	3.5	2.2	18	999

STANDARD CYLINDER GUARD AND MINIMUM LOAD BACKREST SHOWN. CONSULT ULHS FOR OTHER LBR SIZES AND STYLES. PROVIDE FORK DIMENSIONS WHEN ORDERING. FORK CYLINDER ANCHORS REQUIRE WELDING. SIDESHIFT CYLINDER ANCHOR REQUIRES WELDING. FOR NO-WELD FORK CARRIERS, SEE REVERSE SIDE
 HD BRONZE TOP HOOKS AND ADJUSTABLE LOWER HOOKS AND UHMW WEAR PADS STANDARD. LOWER HEEL ROLLERS AVAILABLE AT ADDITIONAL COST.

FORK POSITIONERS

HOOK TO HOOK ~ SIDESHIFTING & NON-SIDESHIFTING



EXTRA RUGGED DUTY CYCLE

USES STANDARD FORKS

PRESSURE RELIEF STANDARD

FLOW CONTROL FORK MOVEMENT

NO-WELD FORK CARRIERS

NON-SIDESHIFTING

MODEL NO:	CAPAC @ 24" LC	TRUCK MTNG. ITA	MIN. CARR. WIDTH	O A W	RANGE IN TO OUT	SS DIM.	FORK MTNG. CLASS	AET	HCG	VCG	WT
FFAA-C38-55	5500	II	35	38	1-34	NA	II	2.0	1.5	11	200
C40-55	5500	II	35	40	1-36	NA	II	2.0	1.5	11	210
C43-55	5500	II	35	43	1-39	NA	II	2.0	1.5	11	225
C46-55	5500	II	41	46	1-42	NA	II	2.0	1.5	11	240
C52-55	5500	II	41	52	1-48	NA	II	2.0	1.5	11	270
C62-55	5500	II	48	62	1-58	NA	II	2.0	1.5	11	320

FFBB-C44-100	10,000	III	36	44	1-40	NA	III	2.5	1.7	13	290
C55-100	10,000	III	40	50	1-46	NA	III	2.5	1.7	13	320
C62-100	10,000	III	48	62	1-58	NA	III	2.5	1.7	13	380
C74-100	10,000	III	60	74	1-70	NA	III	3.0	2.0	13	500
C98-100	10,000	III	60	98	2-93	NA	III	3.0	2.0	13	620

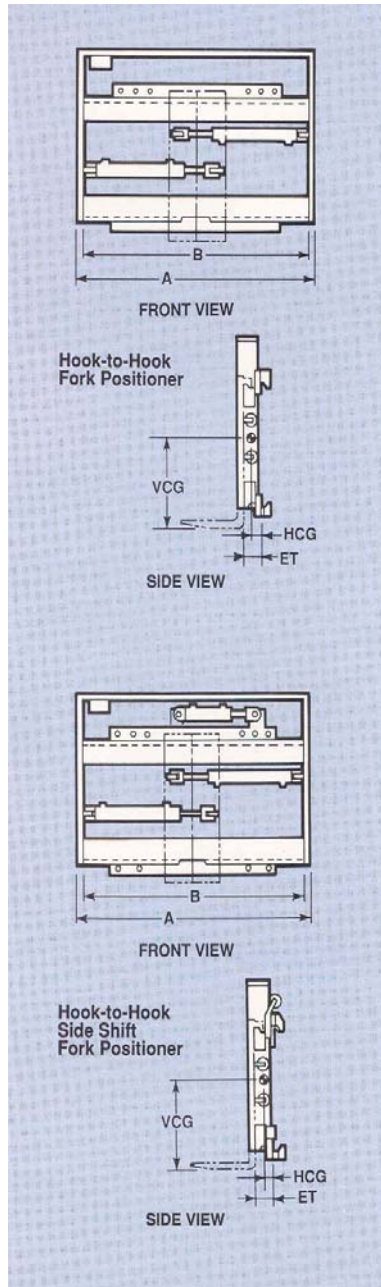
FFCC-C44-155	15,500	IV	40	44	2-39	NA	IV	3.3	2.1	18	555
C50-155	15,500	IV	40	50	2-45	NA	IV	3.3	2.1	18	605
C62-155	15,500	IV	48	62	2-57	NA	IV	3.3	2.1	18	705
C74-155	15,500	IV	60	74	2-69	NA	IV	3.5	2.2	18	805
C98-155	15,500	IV	60	98	2-93	NA	IV	3.5	2.2	18	985

SIDESHIFTING

MODEL NO:	CAPAC. @ 24" LC	TRUCK MTNG. ITA	MIN. CARR. WIDTH	O A W	RANGE IN TO OUT	SS DIM.	FORK MTNG. CLASS	AET	HCG	VC G	WT
SFAA-C38-55	5500	II	35	38	1-34	8	II	2.0	1.5	11	209
C40-55	5500	II	35	40	1-36	8	II	2.0	1.5	11	219
C43-55	5500	II	35	43	1-39	8	II	2.0	1.5	11	234
C46-55	5500	II	41	46	1-42	8	II	2.0	1.5	11	249
C52-55	5500	II	41	52	1-48	8	II	2.0	1.5	11	279
C62-55	5500	II	48	62	1-58	8	II	2.0	1.5	11	329

SFBB-C44-100	10,000	III	36	44	1-40	8	III	2.5	1.7	13	302
C50-100	10,000	III	40	50	1-46	8	III	2.5	1.7	13	334
C62-155	10,000	III	48	62	1-58	8	III	2.5	1.7	13	392
C74-100	10,000	III	60	74	1-70	8	III	3.0	2.0	13	512
C98-100	10,000	III	60	98	2-93	8	III	3.0	2.0	13	615

SFCC-C44-155	15,500	IV	40	44	2-39	10	IV	3.3	2.1	18	570
C50-155	15,500	IV	40	50	2-45	10	IV	3.3	2.1	18	620
C62-155	15,500	IV	48	62	2-57	10	IV	3.3	2.1	18	725
C74-155	15,500	IV	60	74	2-69	10	IV	3.5	2.2	18	825
C98-155	15,500	IV	60	98	2-93	10	IV	3.5	2.2	18	999



STANDARD CYLINDER GUARD AND MINIMUM LOAD BACKREST SHOWN. CONSULT ULHS FOR OTHER LBR SIZES AND STYLES. PROVIDE FORK DIMENSIONS WHEN ORDERING. FORK CARRIERS REQUIRE NO WELDING. SIDESHIFT CYLINDER ANCHOR REQUIRES WELDING. FOR WELD-ON CYLINDER ANCHORS, SEE REVERSE SIDE. HD BRONZE TOP HOOKS AND ADJUSTABLE LOWER HOOKS AND UHMW WEAR PADS STANDARD. LOWER HEEL ROLLERS AVAILABLE AT ADDITIONAL COST.

Unit Load Handling Systems Inc.
 2301 South Mission Circle, Friendswood, TX 77546
 PH: 281-992-2006 FAX: 281-992-2040 bscally@earthlink.net