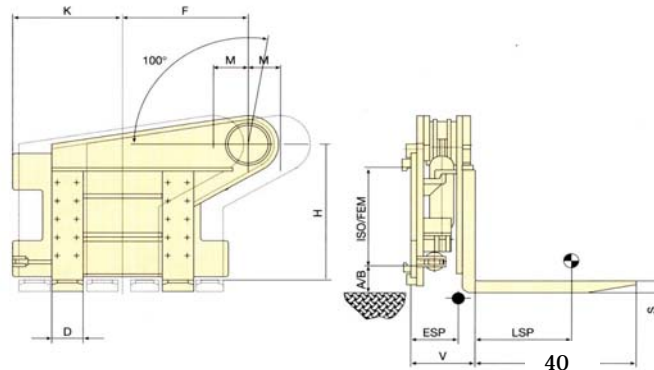




UNIT LOAD HANDLING SYSTEMS
 2301 SOUTH MISSION CIRCLE, FRIENDSWOOD, TX 77546
 P:281-992-2006 F:281-992-2040 E: BSCALLY@EARTHLINK.NET
WWW.UNITLOADHANDLING.COM

LADLE TIPPER ATTACHMENT WITH SIDESHIFTING BASE; ITA MOUNT



MODEL	CAPACITY LB	@	LC	MNTG	F	H	K	D	S	M+M	LLC	HCG	WEIGHT
S23-SKV30	6600	@	20 IN.	III	26	24	26	6	2.5	8	13.6	9.2	2530 LB
S23-SKV40	8800	@	20 IN.	III/IV	26	24	26	6	2.75	8	15.6	10	3058 LB

THIS ATTACHMENT IS DESIGNED TO TRANSPORT AND POUR MOLTEN METALS AND CHARGE DIE-CASTS IN THE FOUNDRY INDUSTRY. THE POURING POINT IS THE ROTATION CENTER POINT TO LIMIT THE SPOUT'S LATERAL SHIFT. ADDITIONAL SIDESHIFTING ALLOWS MORE ACCURATE POSITIONING OF THE POURING SPOUT. IF THE LADLE IS REMOVED THE ONE-SIDE CHARGING TIPPER ALLOWS STANDARD FORKLIFT OPERATIONS.

**ROTATION ANGLE IS 100 DEGREES TO ONE SIDE.
 EITHER LEFT OR RIGHT HAND POUR IS AVAILABLE.**