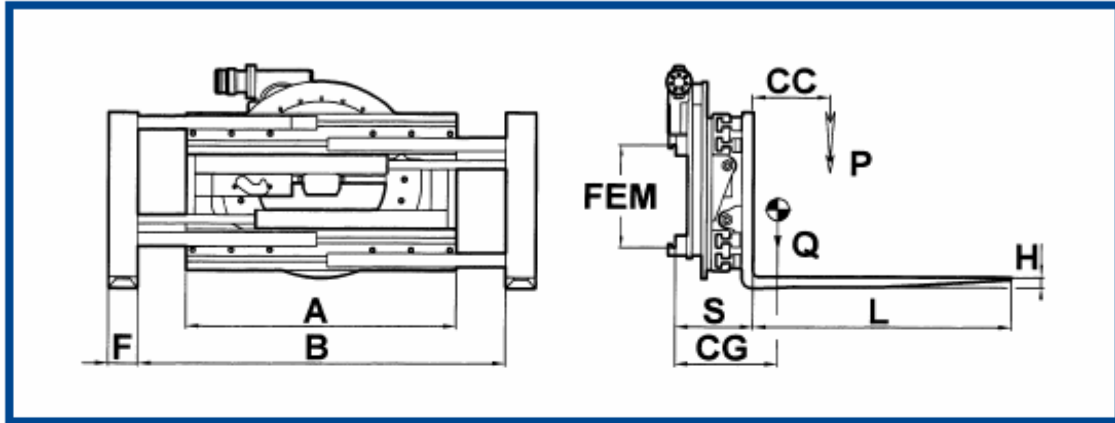


CLAMP Type 301.474.170



REFERENCE	ATTACHMENT CLAMP CAPACITY P kg	CAPAC. ON FORKS P mm	LOAD CENTRE CC mm	OPENING RANGE MIN mm	OPENING RANGE MAX mm	FIXED FRAME WIDTH A mm	FORK LENGTH L mm	FORK THICKN. H mm	FORK WIDTH F mm	ATT. THICK S mm	ATT. CENTRE GRAVITY CG mm	WEIGHT Q kg	
* 11M03AQ2A0001				340	1380	850					139	388	
11M03AQ2A0002	1200	1400	500	440	1680	950	1000	40	100	II	216	141	397
11M03AQ2A0003				540	1980	1050					142	406	
* 11M03BE2A0001				360	1510	950					158	495	
11M03BE2A0002	1400	1900	500	460	1810	1050	1000	40	100	II	299	159	511
11M03BE2A0003				560	2110	1150					161	527	
11M03BE2A0004				460	2010	1250					162	532	
* 11M03CG2A0002				360	1510	950					158	495	
11M03CG2A0003	1700	2100	500	460	1810	1050	1000	40	100	II	299	159	511
* 11M03D62A0001				310	1560	1050					182	539	
11M03D62A0002	1900	2400	500	410	1860	1150	1000	45	130	II	304	184	555
11M03D62A0003				510	2160	1250					186	571	
11M03D62A0004				610	2460	1350					187	587	
* 11M03EY3A0002				310	1560	1050					187	612	
11M03EY3A0003	2400	2900	500	410	1860	1150	1000	45	130	III	304	189	628
11M03G03A0001				450	1820	1100					197	725	
* 11M03G03A0002				300	1620	1200					199	733	
11M03G03A0003	2700	3600	500	450	2020	1300	1000	50	130	III	330	202	759
11M03G03A0004				550	2320	1400					204	785	
11M03HY3A0001				350	1760	1200					213	799	
11M03HY3A0002	3500	4500	500	450	2060	1300	1000	50	150	III	340	216	825
11M03HY3A0003				550	2360	1400					219	851	



Maximum Working Pressure 175 BAR.
 Attachments are complete with valve for checking max pressure and regenerative valve.
 Hydraulic functions required: 2.

Unit Load Handling Systems, Inc.

2301 South Mission Circle, Friendswood, TX 77546

P: 281-992-2006 F: 281-992-2040 E: bscally@earthlink.net www.unitloadhandling.com